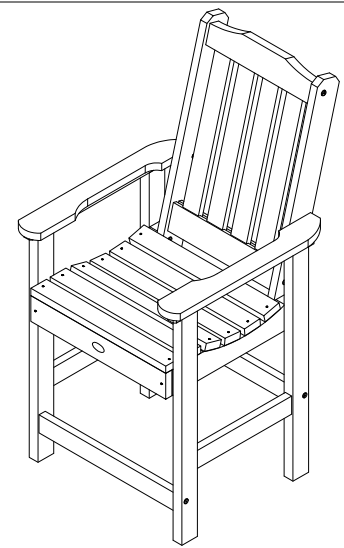


Lehigh Collection

Armchair - Counter Height

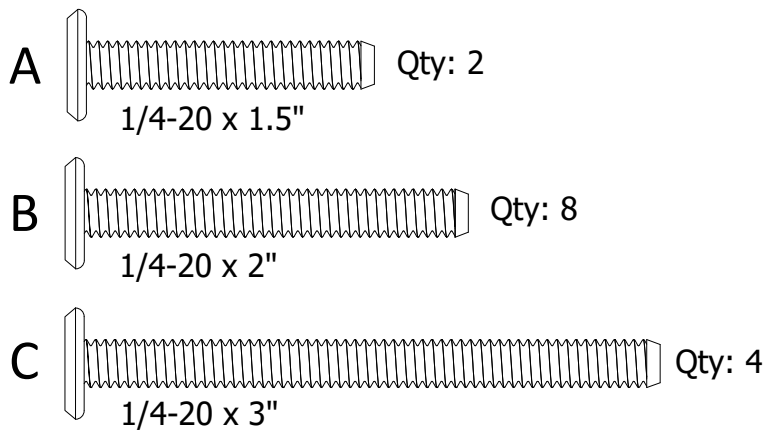
Assembly Guide



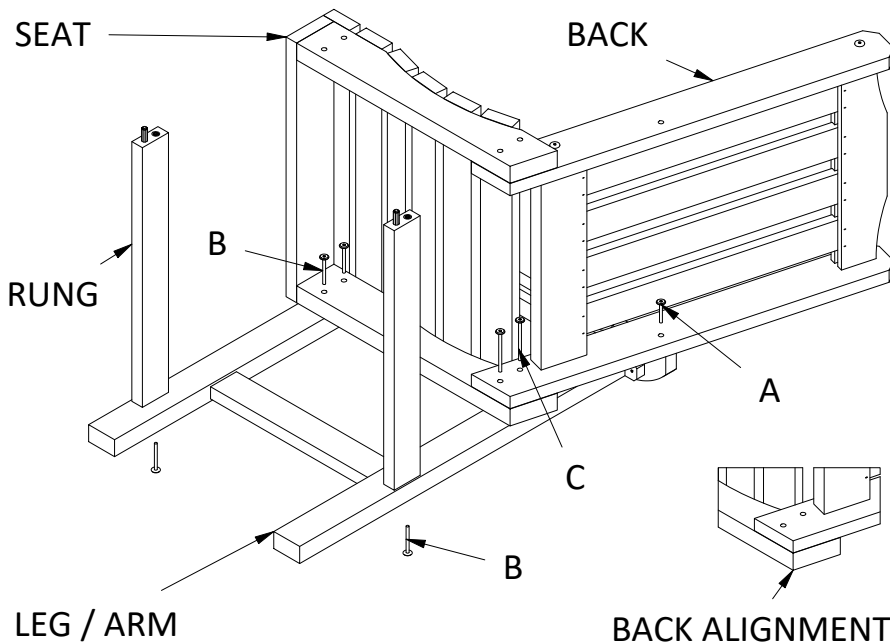
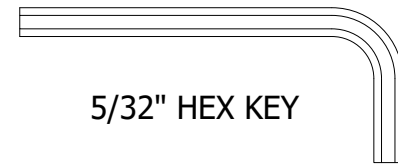
IMPORTANT!

DO NOT fully tighten the bolts until all bolts are started. Once all bolts are inserted, go back & tighten all the bolts.

HARDWARE INCLUDED

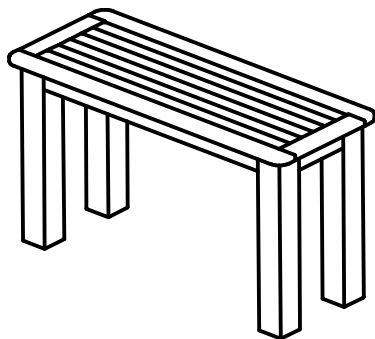


TOOLS INCLUDED

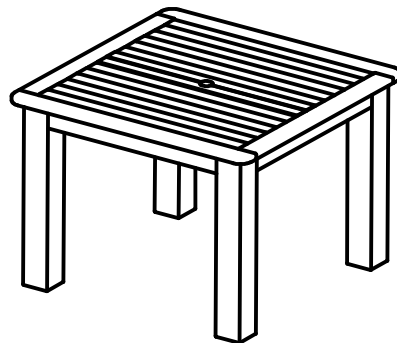


- 1) Attach Seat to Leg/Arm using (2) B bolts and (2) C bolts. (Align Back as shown for C bolts)
- 2) Attach Back to Leg/Arm using (1) A bolt
- 3) Attach Rungs to Leg/Arm using (2) B bolts per Leg/Arm assembly.
- 4) Repeat on other Side.

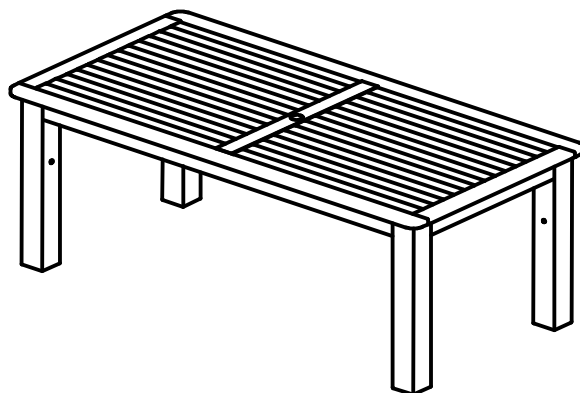
Lehigh, Weatherly, or Adirondack Collection
Rectangular, Square, or Sideboard Tables
Assembly Guide



- AD-DTB25/AD-CTB25 - 22x54 Sideboard or Counter Height Sideboard Table



- AD-DTB44/AD-CTB44 - 42x42 Square Dining or Counter Height Dining Table

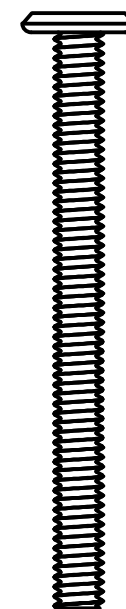


- AD-DTB37/AD-CTB37 - Rectangular 36x72 Dining or Counter Height Dining Table
- AD-DTB47/AD-CTB47 - Rectangular 42x72 Dining or Counter Height Dining Table
- AD-DTB48/AD-CTB48 - Rectangular 42x84 Dining or Counter Height Dining Table

This assembly guide applies to all tables displayed above!

HARDWARE

A



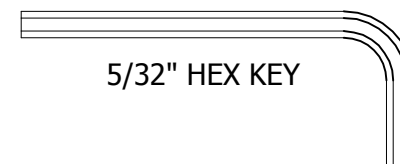
x8
1/4"-20 x 3" Bolt

IMPORTANT!

DO NOT fully tighten the nuts until all nuts are started. Once all nuts are started, go back & tighten all the nuts.

Retain these instructions for future reference

INCLUDED TOOLS

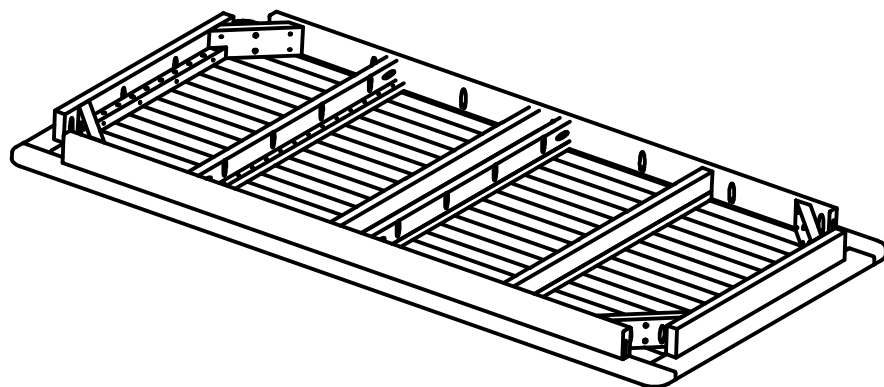


5/32" HEX KEY

Lehigh, Weatherly, or Adirondack Collection

Rectangular, Square, or Sideboard Tables

Assembly Guide



- 1) Place the table top upside down on a soft surface.
- 2) Attach leg with 2 A bolts.
- 3) Repeat for each leg.
- 4) Securely tighten all bolts, but do not over tighten.

